

PARTS CATALOG

880TL Front End Loader

Print No. 84466050
5/2011



PARTS CATALOG

880TL Front End Loader

Print No. 84466050
5/2011



NEW HOLLAND

AGRICULTURE

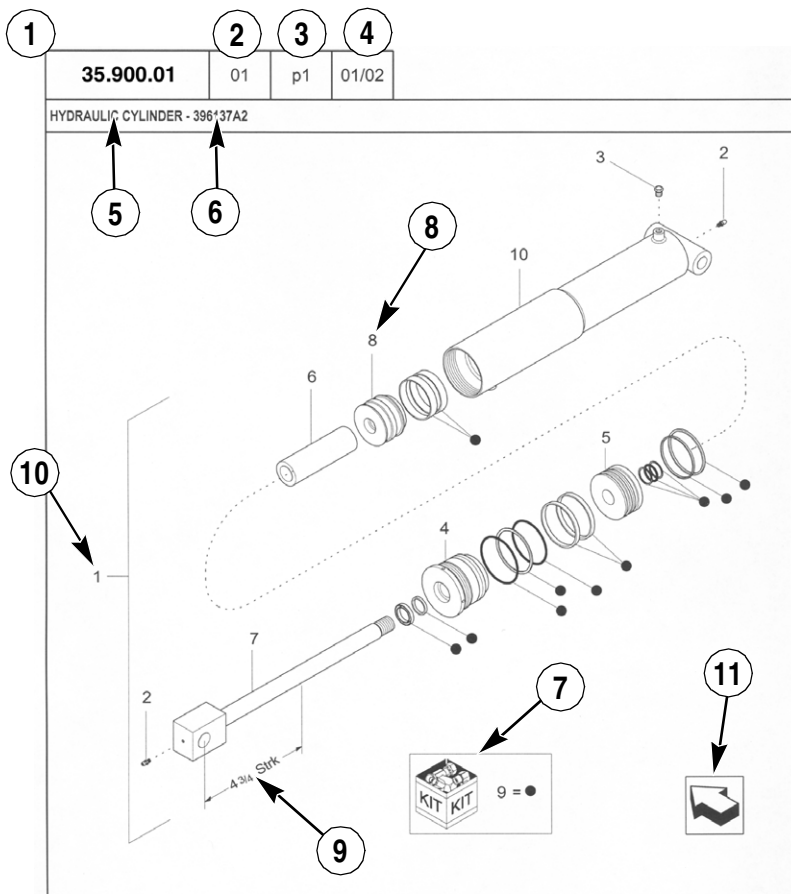


GENERAL INFORMATION

1. Whenever the terms left and right are used, it should be understood to mean from a position facing in direction of travel.
2. Throughout this manual you may find common hardware not illustrated, but listed in the description column. The service part immediately preceding a hardware listing is the part using these particular items for mounting purposes. This hardware is not included with the service part or assembly when ordered as a replacement.
3. The illustrations show typical assemblies plus individual parts but in all cases may not show the exact shape or detail of parts required. However, the purpose for the illustrations is to identify parts performing like functions. Whenever possible illustrations are located at the beginning of each section or immediately adjacent to the applicable text.
4. CNH America LLC is continually striving to improve its products. We must, therefore, reserve the right to make improvements or changes when it becomes practical and possible to do so, without incurring any obligation to make changes or additions to the equipment sold previously.

CNH America LLC, Racine, WI 53404 U.S.A.

How to Use Your Parts Catalog



HYDRAULIC CYLINDER - 396137A2					
REF	FN	PART NUMBER	YR/SN	QTY	DESCRIPTION
1	1	396137A2	BTW 01/85 & 02/02	1	CYLINDER ASSY. 4-3/4 in strk, Inc 2-10
2		31-95	Before 01/85	2	FITTING
2		219-8	From 01/85	2	NIPPLE, LUBE Grease, 1/4 tpr x 17/32
3		{402475A2}		1	BREATHER
4		402474A1		1	CAP CYLINDER END
5		402468A1	BSN JJC0189200	1	PISTON ROD/GLAND
5		145221C3	ASN JJC0189200	1	PISTON
6		402471A1		1	SPACER
7		402473A1		1	ROD, PISTON
8		402469A1		1	PISTON ROD/GLAND
9		402476A1		1	PACKAGE, SEALS
10		NSS		1	NOT SERVICED SEPARAT CASE ASSEMBLY
(1) 08-20					
STANDARD			MODELS		

How to Use Your Parts Catalog

1. Figure Number
2. Sequence code within the Figure Number
3. Page number within the Sequence Code
4. Date of Printing (month / year)
5. Figure Description
6. General information regarding the figure
7. Parts supplied in repair kits per symbol reference
8. Figure call-out of the part number (REF)
9. Technical Specifications relating to the part indicated
10. Figure call-out includes bracketed items, the included items may also be listed in the additional description area
11. Orientation - Arrow indicates front of the machine
12. Footnote - Additional information relating to the part number. In this example, 08-20 equals another figure that this part is shown on.
13. Part Number
 - NSS = Non-serviced parts
 - Bracketed numbers = not available as service parts in this market
14. Not Available as service part in this market
15. YR/SN
 - Year
 - Before 01/85 = Part valid for production January 1985 and before
 - From 01/85 = Part valid for production from January 1985 and after
 - BTW 01/85 & 02/02 = Part valid for machines produced between January 1985 and February 2002.
 - Serial Number (P.I.N.)
 - BSN JJC0268800 = Part valid for serial number JJC0268800 and below
 - ASN JJC0268800 = Part valid for serial number JJC0268800 and above
 - BTW JJC0178000 & JJC0179000 = Part valid for serial numbers between JJC0178000 & JJC0179000
16. Total Quantity of the Part referred to in the page. The quantity can be replaced by the following indications:
 - AR = quantity as required
 - X = as required
17. Part Description
18. Additional description of the part to help confirm identification
19. Figure Notes
20. Model Number(s)

Explanation of Abbreviations

Abbreviation	Meaning
adj	adjustable
amp	ampere
AR	As required
ASN	Serial number and after / P.I.N. and after
barb	barb
blkhd	bulkhead
boss	boss
BSN	before serial number / before P.I.N
BTW	between
cc	cubic centimetre
chain	chain
cl	class
cp pt	cup point
CRS	Chrome Alloy Steel
CST	Carbon Steel
cu yd	cubic yard
deg	degree
dia	diameter
dr type	drive type
dry	dry
fc	face
fc sl	face seal
fem	female
fem PT	female pipe thread
fl	flare
ft	feet (or foot)
gal	gallon(s)
gr	grade
hd	head
hp	horsepower
ID	inside diameter

Abbreviation	Meaning
in	inch(es)
Inc.	includes
inv fl	inverted flare
K	kilo
kg	kilogram
L	litre
lb	pound(s)
lg	long
LH	left hand
LH thd	left hand thread
links	links
M	(prefix) metric thread size
m	metre
male	male
mm	millimetre
NF	National Fine
No.	number
NS	National Super Fine
OD	outside diameter
ohm	electrical unit of resistance
Or	O-ring
orifice	orifice
P	pitch
piece	piece
psi	pounds per square inch
PT	pipe thread
rd	round
rd holes	round holes
RH	right hand
RH thd	right hand thread
rpm	revolutions per minute

Explanation of Abbreviations

Abbreviation	Meaning
sl	self locking
slat	slat
spool	spool
sq	square
SST	Stainless Steel
st	self tapping
stem	stem
strk	stroke
sw	swivel
T	teeth
Teflon	Teflon
thin	thin
thk	thick
tpr	taper

Abbreviation	Meaning
tube	tube
type	type
V	volt(s)
W	watt(s)
way	way
wide	wide
X	as required
yd	yard

Dimensions

Metric and U.S. hardware dimensions do not show the numeric designations of standard coarse threads. A number following a semi colon (;) is the class or grade of hardware. A comma (,) represents the decimal point (.) used in U.S. dimensions.



TABLE OF CONTENTS

35.100.01	CYLINDER
35.100.02	CYLINDER (LDR12715810)
35.100.03	CYLINDER (LDR12715910)
35.100.04	CYLINDER (LDR12707510)
35.204.01	HYDRAULICS
35.204.02	MAIN HOSE KIT
35.204.03	VALVE CONNECTION
35.204.04	UPPER PART
35.204.05	LOWER PART
35.204.06	HOSE CONNECTION
35.204.07	HOSE KIT, POWERGRAB 260 HD
35.204.08	LOWER PART
35.204.09	HOSE CONNECTION, LIVE 3RD
35.204.10	LOWER PART
35.204.11	UPPER PART
35.204.12	VALVE CONNECTION, LIVE 3RD
35.204.13	LOWER PART
35.310.01	VALVE
35.310.02	LOWER PART 1/2"
35.310.03	LOWER PART 3/8"
35.310.04	UPPER PART
35.310.05	COMPACT VALVE
35.350.01	IMPLEMENT LOCK
35.850.01	QUICK COUPLINGS
35.850.02	3RD FUNCTION
35.850.03	SERVO CONTROL
35.850.04	4TH FUNCTION
35.850.05	LIVE 3RD
39.104.01	BEARING BOX
39.105.01	LOADER BEAM
39.105.02	LOCKING KIT
39.105.03	LOADER BEAM WITH BUSHINGS
39.105.04	LOCKING KIT, LEFT HAND
39.105.05	LOCKING KIT, RIGHT HAND
39.105.06	PARALLEL ROD WITH BUSHINGS
39.105.07	LOCKING MECHANISM KIT
39.105.08	SUPPORT LEG
39.105.09	LINK WITH BUSHINGS
39.105.10	LOCKING MECHANISM KIT
39.110.01	TOOL CARRIER
39.110.02	PIN KIT
48.110.01	SUSPENSION MANUAL
48.110.02	SUSPENSION ELECTRIC
55.100.01	SHUT OFF
55.100.02	PROTECTION SLEEVE
82.100.01	BUCKET 260HDV
82.100.02	BUCKET, POWERGRAB 260
82.100.03	POWERGRAB 260
82.100.04	MAXI GRAPPLE 260
82.100.05	MAXI GRAPPLE 260 WITH TINES
82.100.06	MAXI GRAPPLE 260 WITH TINES AND BACK SCREEN

TABLE OF CONTENTS

82.100.07

GRAB HEAD, POWERGRAB 260

90.108.01

DECALS

ALPHABETICAL INDEX

FIGURE

3RD FUNCTION	35.850.02
4TH FUNCTION	35.850.04
BEARING BOX	39.104.01
BUCKET 260HDV	82.100.01
BUCKET, POWERGRAB 260	82.100.02
COMPACT VALVE	35.310.05
CYLINDER	35.100.01
CYLINDER (LDR12707510)	35.100.04
CYLINDER (LDR12715810)	35.100.02
CYLINDER (LDR12715910)	35.100.03
DECALS	90.108.01
GRAB HEAD, POWERGRAB 260	82.100.07
HOSE CONNECTION	35.204.06
HOSE CONNECTION, LIVE 3RD	35.204.09
HOSE KIT, POWERGRAB 260 HD	35.204.07
HYDRAULICS	35.204.01
IMPLEMENT LOCK	35.350.01
LINK WITH BUSHINGS	39.105.09
LIVE 3RD	35.850.05
LOADER BEAM	39.105.01
LOADER BEAM WITH BUSHINGS	39.105.03
LOCKING KIT	39.105.02
LOCKING KIT, LEFT HAND	39.105.04
LOCKING KIT, RIGHT HAND	39.105.05
LOCKING MECHANISM KIT	39.105.07
LOCKING MECHANISM KIT	39.105.10
LOWER PART	35.204.13
LOWER PART	35.204.08
LOWER PART	35.204.05
LOWER PART	35.204.10
LOWER PART 1/2"	35.310.02
LOWER PART 3/8"	35.310.03
MAIN HOSE KIT	35.204.02
MAXI GRAPPLE 260	82.100.04
MAXI GRAPPLE 260 WITH TINES	82.100.05
MAXI GRAPPLE 260 WITH TINES AND BACK SCREEN	82.100.06
PARALLEL ROD WITH BUSHINGS	39.105.06
PIN KIT	39.110.02
POWERGRAB 260	82.100.03
PROTECTION SLEEVE	55.100.02
QUICK COUPLINGS	35.850.01
SERVO CONTROL	35.850.03
SHUT OFF	55.100.01
SUPPORT LEG	39.105.08
SUSPENSION ELECTRIC	48.110.02
SUSPENSION MANUAL	48.110.01
TOOL CARRIER	39.110.01
UPPER PART	35.204.11
UPPER PART	35.204.04
UPPER PART	35.310.04
VALVE	35.310.01
VALVE CONNECTION	35.204.03
VALVE CONNECTION, LIVE 3RD	35.204.12





SECTION INDEX

35 - Hydraulic Systems

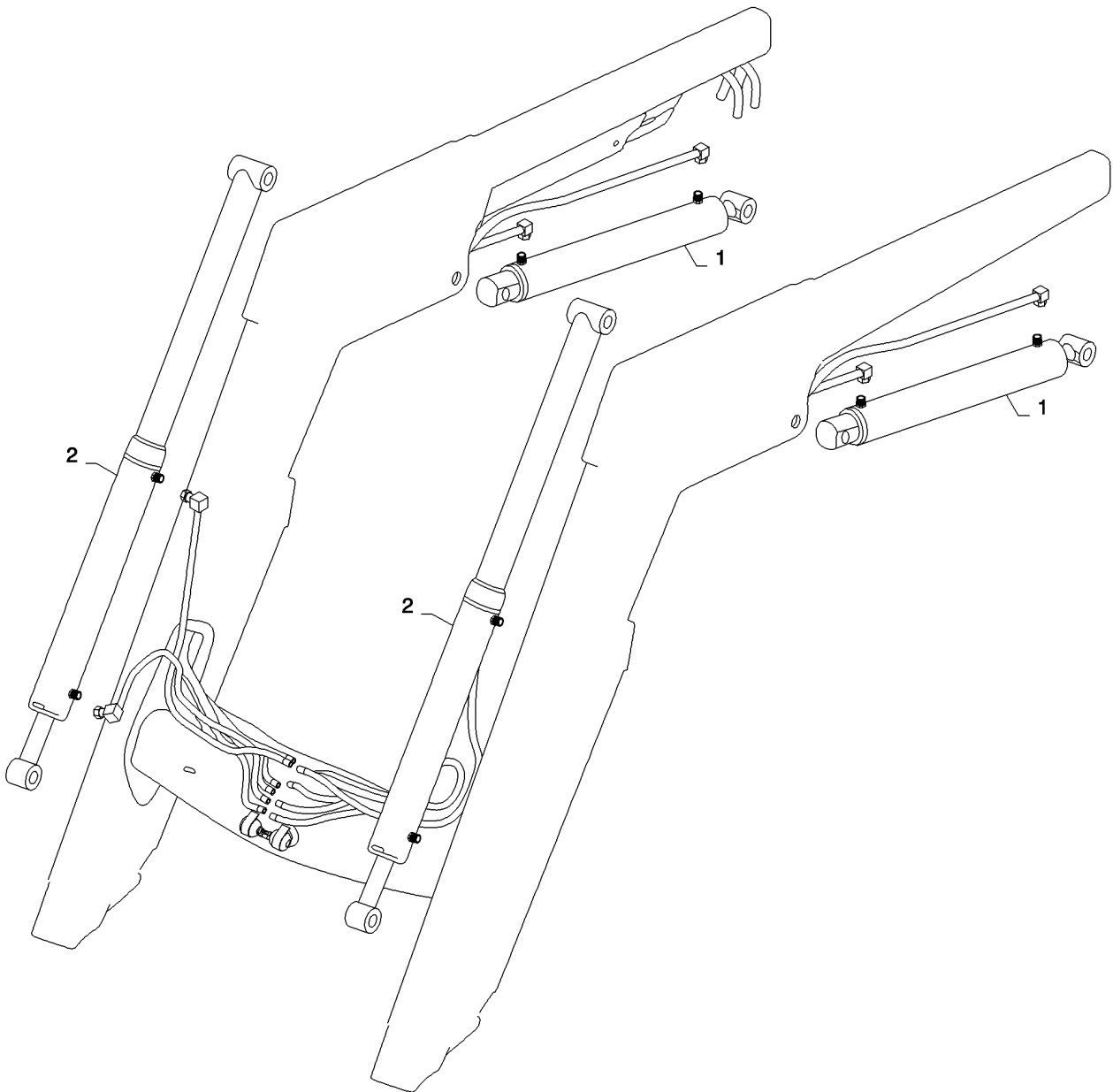
35.100.01	CYLINDER
35.100.02	CYLINDER (LDR12715810)
35.100.03	CYLINDER (LDR12715910)
35.100.04	CYLINDER (LDR12707510)
35.204.01	HYDRAULICS
35.204.02	MAIN HOSE KIT
35.204.03	VALVE CONNECTION
35.204.04	UPPER PART
35.204.05	LOWER PART
35.204.06	HOSE CONNECTION
35.204.07	HOSE KIT, POWERGRAB 260 HD
35.204.08	LOWER PART
35.204.09	HOSE CONNECTION, LIVE 3RD
35.204.10	LOWER PART
35.204.11	UPPER PART
35.204.12	VALVE CONNECTION, LIVE 3RD
35.204.13	LOWER PART
35.310.01	VALVE
35.310.02	LOWER PART 1/2"
35.310.03	LOWER PART 3/8"
35.310.04	UPPER PART
35.310.05	COMPACT VALVE
35.350.01	IMPLEMENT LOCK
35.850.01	QUICK COUPLINGS
35.850.02	3RD FUNCTION
35.850.03	SERVO CONTROL
35.850.04	4TH FUNCTION
35.850.05	LIVE 3RD

35.100.01

p1

05/11

CYLINDER



35.100.01

p1

05/11

CYLINDER

REF	FN	PART NUMBER	YR/SN	QTY	DESCRIPTION
1		LDR12715810		2	HYDRAULIC CYLINDER, Cylinder
2		LDR12715910		2	HYDRAULIC CYLINDER, Cylinder

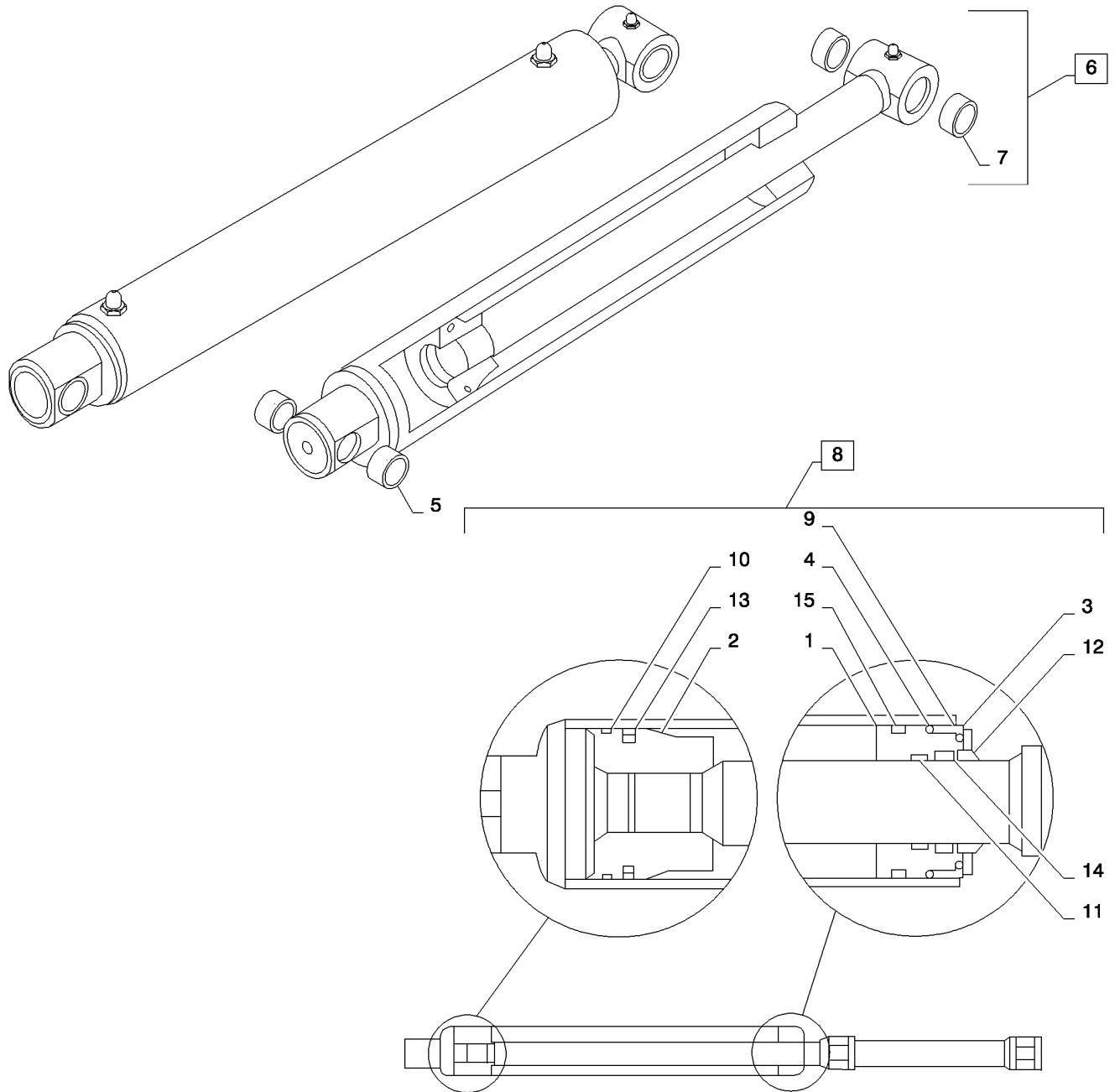
880TL

35.100.02

p1

05/11

CYLINDER (LDR12715810)



CYLINDER (LDR12715810)

REF	FN	PART NUMBER	YR/SN	QTY	DESCRIPTION
1		LDR12710011		1	BEARING ASSY
2		LDR12710012		1	PISTON
3		LDR5016624		1	RING, Retaining
4		LDR5016677		1	RING, Retaining
5		LDR5018514		2	BUSHING
6		LDR12715723		1	FLUID COUPLING, Includes Ref. 7
7		LDR5018514		2	BUSHING
8		LDR5033710		1	SEAL PACKAGE, Kit, Includes Ref. 9-15
9		NSS		1	NOT SERVICED SEPARATELY, O-Ring 91.6 x 3.53
10		NSS		1	NOT SERVICED SEPARATELY, Guide Ring 100/95 x 5.5
11		NSS		1	NOT SERVICED SEPARATELY, Guide Ring 50/55 x 9.7
12		NSS		1	NOT SERVICED SEPARATELY, Wiper 50/60 x 7/10
13		NSS		1	NOT SERVICED SEPARATELY, Piston Seal 100/84.5 x 6.3
14		NSS		1	NOT SERVICED SEPARATELY, Seal 50/60 x 10
15		NSS		1	NOT SERVICED SEPARATELY, Cover seal 100 x 93.8 x 6.9

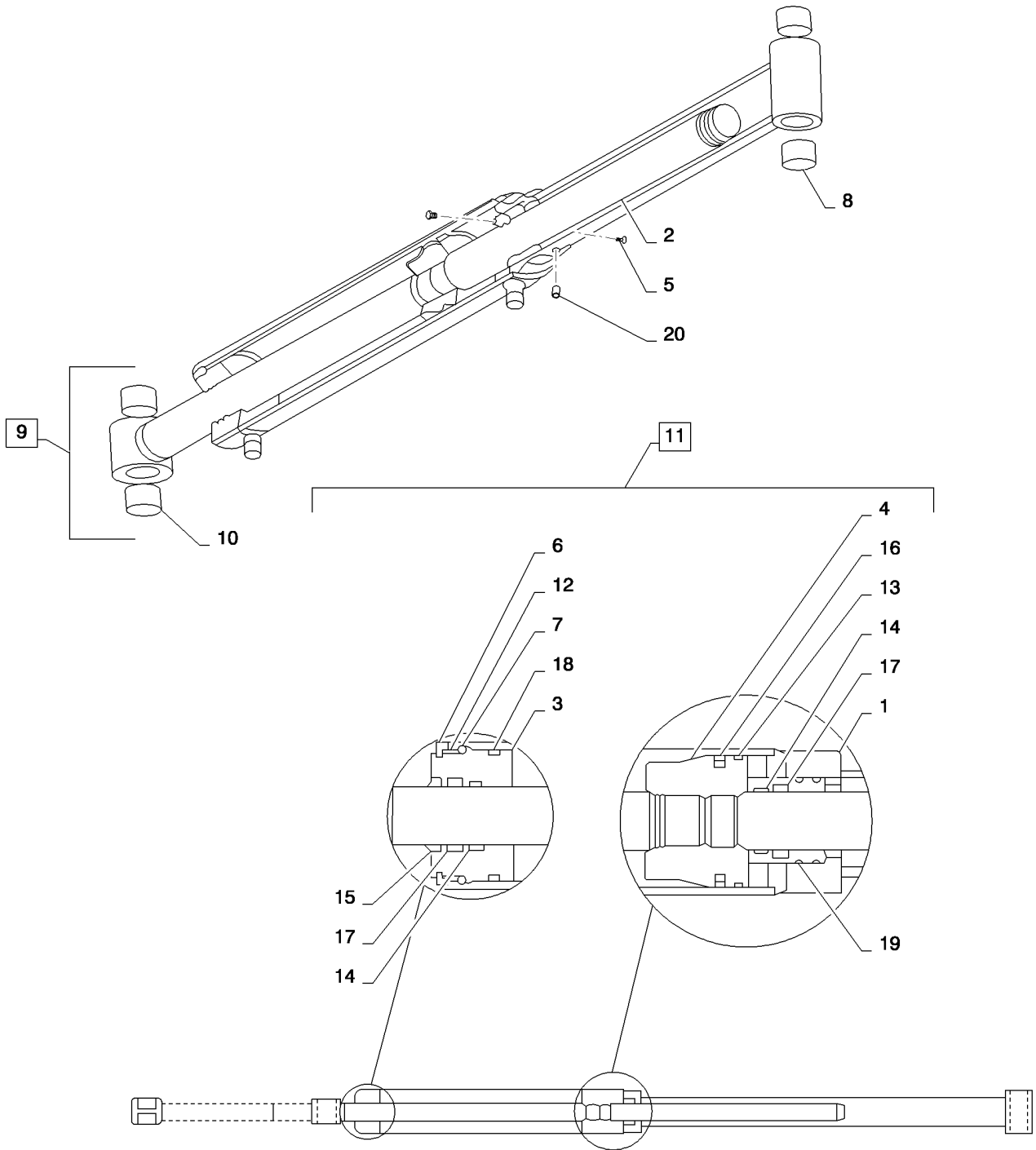
880TL

35.100.03

p1

05/11

CYLINDER (LDR12715910)



**Thanks very much for your reading,
Want to get more information,
Please click here, Then get the complete
manual**

JustClickHere 

NOTE:

**If there is no response to click on the link above,
please download the PDF document first, and then
click on it.**

**Have any questions please write to me:
admin@servicemanualperfect.com**